

Remeda

CUBEsystem®



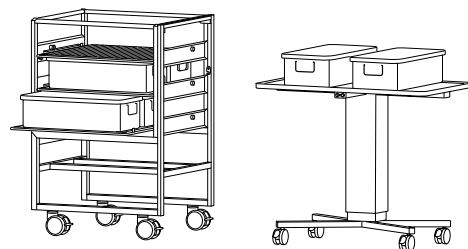
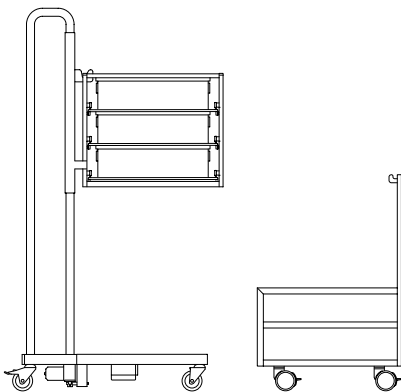
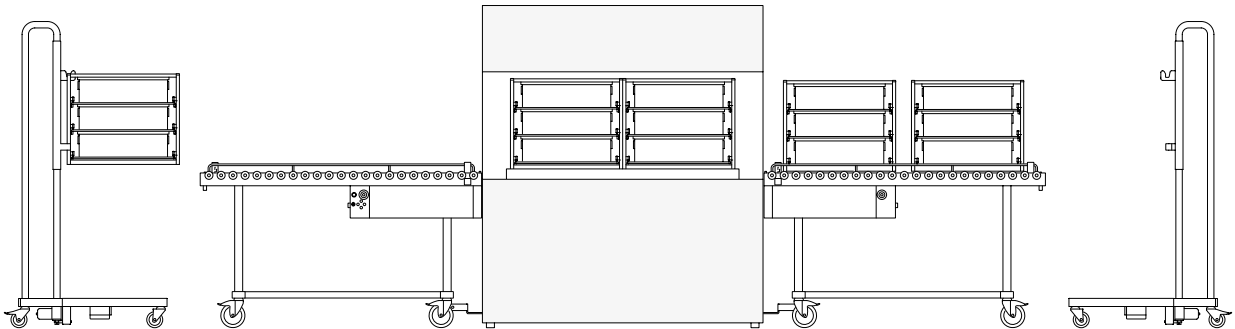
Simplifies work in the
central sterilization
departments

CUBEsystem®

Containers become more common in the modern hospitals. Remeda's handling systems for containers and instrument trays ease the work load for the personnel and reduce heavy lifting.

At the same time it increases the efficiency with help of this complete system for handling containers and instrument trays from the sterilization department to the operating theatres.

This system creates the possibility for the staff to prepare the CUBE for each specific operation just-in-time. The system includes the rack called the CUBE, a lift to handle the rack and a transport unit.



Effective handling and transportation of containers and instrument trays

A higher level of quality and efficiency create higher demands on medical personnel and equipment. In spite of new technology, some work still overwhelms today's medical personnel.

Remeda's products provide simpler and more effective solutions for work in operating departments and central sterilization departments.

The Remeda container system has been developed in order to create a more effective handling of containers at the hospital, without creating strain on the personnel.

Handling containers and instrument trays often create a strain on the personnel with heavy lifting in difficult heights and positions.

Where the containers and instrument trays before had to be handled several times in a working cycle at the hospital, today with help of the CUBE system they only have to be handled twice by personnel throughout the hospital.

The CUBE system handle the containers and instrument trays within the central sterilization department and operating department and the transportations in between. The system consists of three parts, the shelf rack, transport trolley and lift trolley.

The shelf rack's shelves can slide out which facilitate easy lifting of the containers in its handles from the correct lifting position.

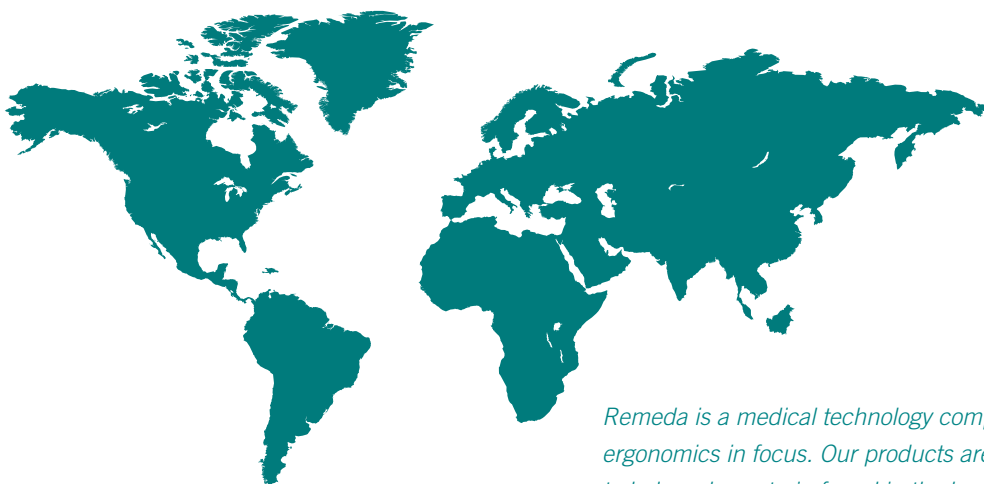
The goods are put on the shelf rack after packing and the shelf rack is then easily handled with the lifting trolley.

When lifting the container using the CUBE container handling system it will always be done in the correct lifting height thanks to the lifting trolley that is a part of the system.

The lifting trolley is both used in the central sterilization departments and in the operation department. The container stays on the shelf rack from the packing table through the sterilizer, to the operation department and back to the central sterilization department.

Further information about the products can be found at the Remeda website, www.remeda.com.

Our products are found worldwide



Remeda is a medical technology company with ergonomics in focus. Our products are developed to help reduce strain found in the hospital.

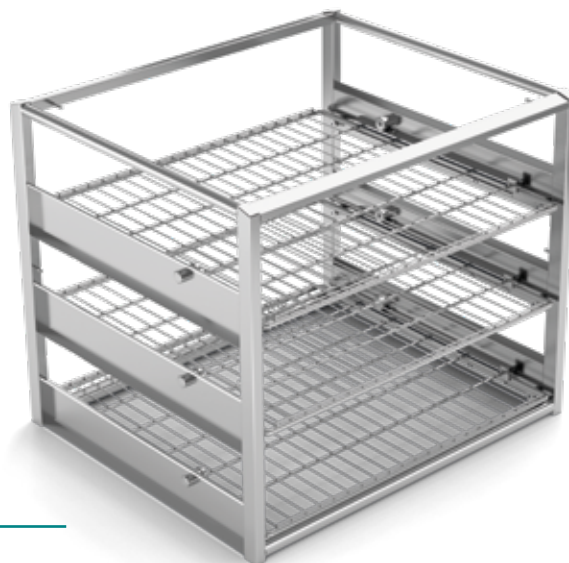
130 52 Shelf rack

The shelf rack's shelves can slide out which facilitate easy lifting of the containers in its handles from the correct lifting position.

The goods are put on the shelf rack after packing and the shelf rack is then easily handled with a lifting trolley. When handling the goods using the CUBE system, it will always be done in the correct lifting height thanks to the lifting trolley that is a part of the system.

The lifting trolley is both used in the central sterilization department and in the operation department.

The goods stays on the shelf rack from the packing table through the sterilizer, to the operation department and back to the central sterilization department.



Reference number	Shelf rack mm (inch)	Shelfsize mm (inch)	Description
130 52-01	700x600x596 (27,6x23,6x23,5)	610x580x165 (24,0x22,8x6,5)	Removable shelves
130 52-02	700x600x596 (27,6x23,6x23,5)	610x580x165 (24,0x22,8x6,5)	Fixed shelves

130 51 Transport trolley

The transport trolley is used to transport the CUBE between central sterilization department and the operation department.

The trolleys can be connected to each other in order to transport more cubes at a time.

There are several types of transport trolleys available, both open version and a trolley that is closed with stainless steel cover.



Reference number	Dimensions mm (inch)	No. of Cubes	Description
130 51-01	850x760x1600 (33,5x29,9x63,0)	2	Open
130 51-02	720x660x1130 (28,3x26,0x44,5)	1	Open
130 51-03	860x760x1700 (33,9x29,9x66,9)	2	Closed

130 50 Lift trolley

The lifting trolley is used to handle the cube within the central sterilization unit and in the operation department.

With help of the lift, the cubes can be easily moved around and adjusted to the right working and lifting height for the personnel.

Reference number	Hight mm (inch)	Capacity kg/lbs
130 50-01	760-1560 (29,9-61,4)	90 (198)
130 50-02	1020-1520 (40,2-59,8)	90 (198)



130 55 Washroom trolley

The washroom trolley is used to handle the cube in the central sterilization department.

With help of the lift, the cube and the transport trolley can easily be moved around in the washing area.

With help of the washroom trolley the goods will be adjusted to the correct working and lifting height for the personnel.

Reference number	Hight mm (inch)	Capacity kg/lbs
130 55-01	305-555 (12,0-21,9)	150 (330)



130 52 Shelf rack

The shelf rack's shelves can slide out which facilitate easy lifting of the containers in its handles from the correct lifting position.

The goods are put on the shelf rack after packing and the shelf rack is then easily handled with a lifting trolley. When handling the goods using the CUBE system, it will always be done in the correct lifting height thanks to the lifting trolley that is a part of the system.

The lifting trolley is both used in the central sterilization department and in the operation department.

The goods stays on the shelf rack from the packing table through the sterilizer, to the operation department and back to the central sterilization department.



Reference number	Shelf rack mm (inch)	Shelf size mm (inch)	Description
130 52-03	800x600x596 (31,5x23,6x23,5)	710x580x165 (28,0x22,8x6,5)	Internal use
130 52-04	800x600x596 (31,5x23,6x23,5)	710x580x140/210 (28,0x22,8x5,5/8,3)	Robot

130 56 Transport trolley

The lifting trolley is used to handle the cube within the central sterilization department.

With help of the trolleys, the cubes can be easily moved around and adjusted to the right working and lifting height for the personnel.



Reference number	Height mm (inch)	Capacity kg/lbs
130 56-01	454-854 (17,9-33,6)	150 (330)

130 53 Transport trolley

The transport trolley is developed to move goods between the departments in the hospital.

The transport trolley is specially designed to fit the customer need.

Transporting up to 6 containers or instrument trays.

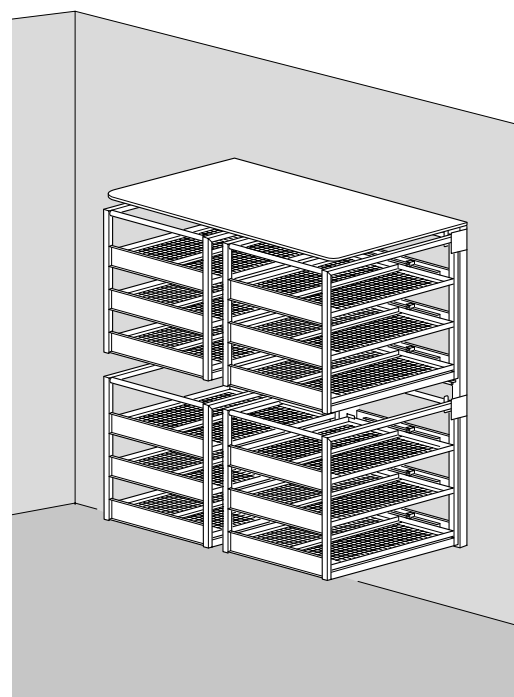
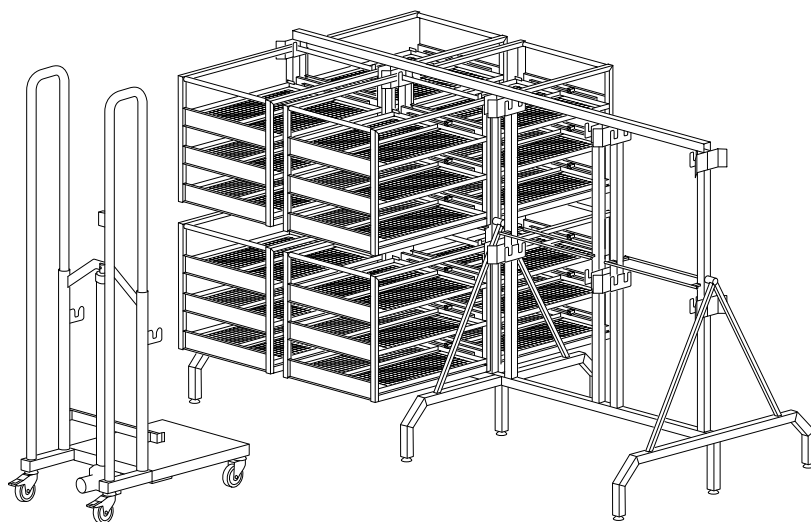
The transport units can also be connected to each other to simplify the transportation.

There can be fitted a basket on top of the trolley where extra material can be placed.



Reference number	Shelf rack mm (inch)	Shelf size mm (inch)
130 53-01	800x600x1220 (31,5x23,6x48,0)	710x580x235 (28,0x22,8x9,3)

130 54 Storage system





Our products are found worldwide

Remeda was established in 1990 and is a family owned company with its head office in Halmstad, Sweden.

Our products are produced in Sweden and our market is worldwide. Sales are made through local dealers and collaborations with other companies in the medical technology industry.

Remeda

Remeda AB

Transportv, 8, SE-302 30 Halmstad
SWEDEN

Phone: +46 (0) 35 15 84 70

Fax: +46 (0) 35 15 84 60

E-mail: remeda@remeda.com

www.remeda.com